

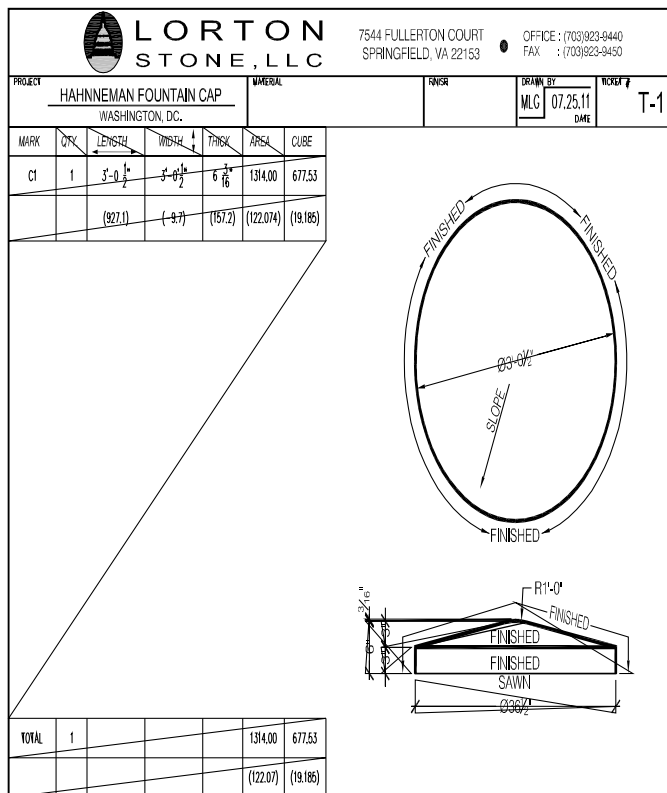
**Hahnemann Monument Report**  
**American Institute of Homeopathy**  
**September 15, 2011**  
**Eighteenth Report**  
**Washington, DC**



Friday afternoon, September 2, 2011, NPS Culture Resources Program Manager Jennifer Talken-Spaulding and I had a telephone conversation after having had several email exchanges. This discussion was to firm up the Ceremony Acknowledging the Completion of the Hahnemann Monument Restoration Project, initiated in 2003.

The last piece of the Hahnemann Restoration Project pertaining to the memorial itself is the resolution of the inactivated fountain at the rear of the memorial.

The approved plan, which the AIH Hahnemann Monument Preservation Committee will support, is to replace the current steel banded concrete slab with a more appropriate cover. The source for the more appropriate matching granite is Lorton Stone, LLC, of Springfield, VA, at a cost of \$3835.00. The HMRP Fund now holds \$11,844.68.



Prior to the placement of the finally chosen shaped granite cover, the concrete slab will be removed, the rust stains will be expunged, and the pebbles in the base of the basin will be collected.

The entire process will be memorialized with serial photographs, copies of which will be provided to the Chairman of the AIH Hahnemann Monument Preservation Committee for our archives.

A new donation letter will be composed to accompany the contribution for the completion of this project.

On 09/16/11, there will be an official ceremony acknowledging the completion of the restoration to which the NPS, the AIH, and the public will be invited.

Sandra M. Chase, MD, DHT, Chairman  
 AIH Hahnemann Monument Preservation Committee